

Type F3.30 and ULF3.30 Blind Transmitters

The Type F3.30 and ULF3.30 are 3-wire flow transmitters with a 4 to 20 mA analog output. For applications not requiring visual flow indication, they are an economical alternative to an F9.00 instrument/sensor direct mount assembly.

■ Type F3.30

| | |
|------------------------------|---|
| Body Materials: | CPVC, PVDF, 316L Stainless Steel, Brass |
| Rotor: | ECTFE (Halar®) |
| Shaft & Bearings: | Ceramic |
| Seals: | EPDM, Viton® |
| Pipe Sizes: | 1/2" – 24" in two sensor lengths, L0 or L1 See Installation Fittings (pages 28–30) |
| Flow Ranges: | See page 34 |

■ Type ULF3.30

| | Polyoxymethylene Version (POM) | ECTFE Version |
|---------------------|-------------------------------------|-------------------|
| Sensor Body: | POM | ECTFE (Halar®) |
| Rotor: | POM | ECTFE (Halar®) |
| Shaft: | Corepoint®† | Sapphire |
| Bearings: | – | Sapphire |
| O-Ring: | Viton® | Viton® or Kalrez® |
| Connection: | Inline 1/4" BSP male threaded | |
| Flow Range: | | |
| ULF01 Model: | 1.5 to 100 l/h (0.0066 to 0.44 gpm) | |
| ULF03 Model: | 6 to 250 l/h (0.0264 to 1.10 gpm) | |

† Corepoint® is a steel alloy.

■ Features

- **Large Selection of Sensor Materials** – Including stainless steel and brass.
- **Corrosion Resistant PVC Electronics Housing**
- **Ceramic Shaft and Bearings** – Provide long life on services containing grit
- **Self Cleaning Design** – Lower maintenance

Digiflow®
FLOW X3

F3.30



ULF3.30



Type F3.30 and ULF3.30 Blind Transmitters

Digiflow®
FLOW X3

■ Technical – General

| | |
|----------------------|--------------------------------|
| Supply Voltage: | 12 to 24 VDC regulated |
| Current Consumption: | < 50 mA |
| Max. Loop Impedance: | 800 K @ 24 VDC, 300 K @ 12 VDC |
| Enclosure: | NEMA 4, 4X (IP65) PVC housing |
| Repeatability: | ± 0.5% of full scale |
| Output: | 4 to 20 mA, 3 wire |

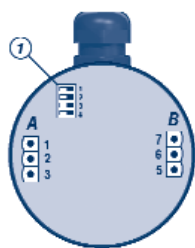
■ Technical – Type F3.30

| | |
|--------------------------------------|---|
| Accuracy: | < ± 1% of reading value after field calibration or ± 0.75% of full scale |
| Viscosity Range: | 0.5 to 20 centistokes. Factory calibration is required if outside this range, up to 40 centistokes maximum. |
| Maximum % Solids: | 10% with particle size not exceeding 0.5 mm cross section or length |
| Ambient Temperature: | 0 to 60°C (32 to 140°F) |
| Max. Operating Pressure/Temperature: | See chart on page 35 |

■ Technical – Type ULF3.30

| | |
|----------------------|---|
| Accuracy: | < ± 2% of reading value after field calibration or ± 1% of full scale |
| Viscosity Range: | 1 to 10 centistokes |
| Maximum % Solids: | Clean service only, no solids recommended |
| Ambient Temperature: | 0 to 60°C (32 to 140°F) |
| Working Temperature: | -10 to 80°C (14 to 176°F) |
| Working Pressure: | 5 bar (70 psi) max @ 22°C (72°F) |

■ Wiring & Operation



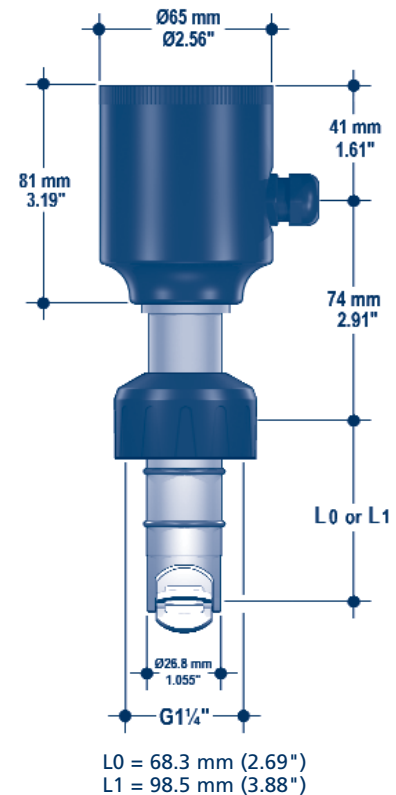
| | | |
|----------------|---|----------------|
| Power Supply A | 1 | + VDC |
| | 2 | 4-20 mA OUTPUT |
| | 3 | - VDC |

| | | |
|----------|--------|-----|
| Sensor B | SENSOR | |
| | 5 | GND |
| | 6 | IN |
| 7 | V+ | |

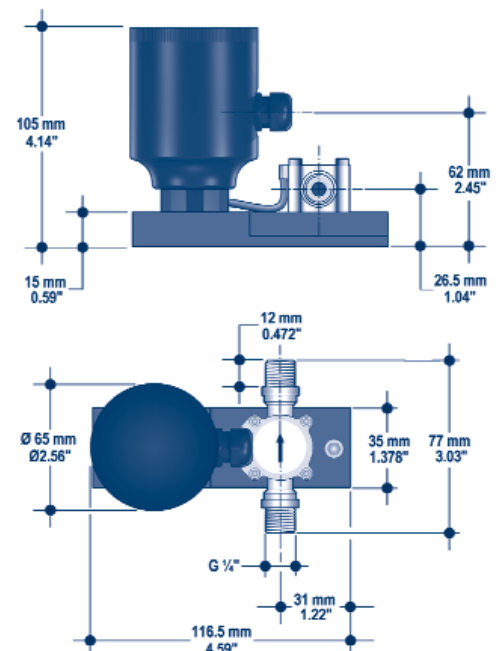
① Calibration Switch

The full scale range, corresponding to 4 to 20 mA output is set by means of switches 2, 3 and 4.
Switch 1 is used to set a filter on the current output.

F3.30



ULF3.30



■ Item Numbers

- See page 20.