

Actuator Options

Diaphragm Valves



Series 92 Electric Actuators

Standard Features (Sizes 1/2" – 3")

- Brushless, capacitor-run motors (115V/60 Hz)
- Integral thermal overload protection with auto-reset (AC models)
- Permanently lubricated gear train
- Combination NEMA 4X, 7 and 9 enclosure with thermally bonded powder coating/304 ss trim
- ISO bolt circle
- Two 1/2" NPT conduit ports prevent interference between control and power signals
- Declutchable manual override
- Highly visible position indicator
- 3-layer rotary switch for dry contact indication

Options

- Heater and thermostat (to -40° F)
- Milliamp positioner: 4–20mA or 0–10 Vdc input signal
- 4–20mA output position transmitter
- Extra limit switches for lights or sequencing other equipment
- Feedback potentiometer

Cycle Times

Weight

Dimensions**

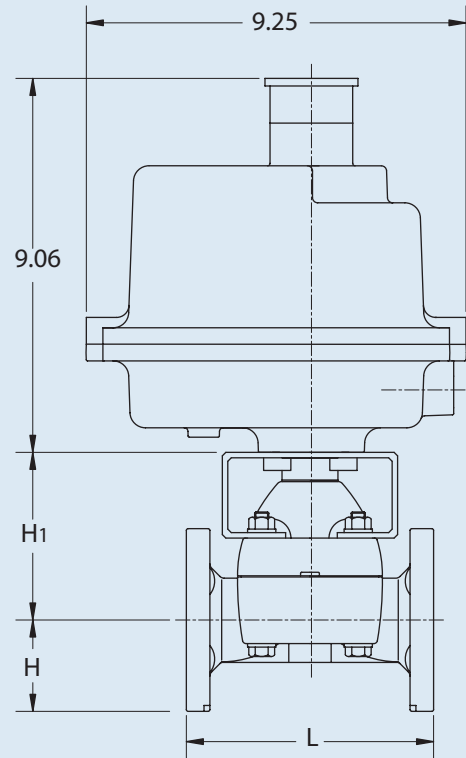
NOMINAL SIZE		TIME (SEC.)	NOMINAL SIZE		WT. (LBS.)	NOMINAL SIZE		H	H1	L
INCHES	mm		INCHES	mm		INCHES	mm			
1/2	15	190	1/2	15	16.50	1/2	15	1.75	3.55	4.25
3/4	20	210	3/4	20	16.80	3/4	20	1.94	3.61	5.88
1	25	210	1	25	17.40	1	25	2.13	3.77	5.88
1 1/2	40	210	1 1/2	40	21.20	1 1/2	40	2.50	6.50	6.94
2	50	210	2	50	23.00	2	50	3.00	7.02	7.94
2 1/2	65	210	2 1/2	65	29.33	2 1/2	65	3.50	9.52	9.84
3	80	270	3	80	32.64	3	80	3.75	10.25	10.38

*Duty Cycle: 25%

**Maximum dimensions in inches with unit declutchable

Electrically Actuated Diaphragm

ACTUATOR DEPTH: 9.25"



NOTE: CONSULT FACTORY FOR SIZES 4" AND LARGER. FOR TRUE UNION "L" DIMENSIONS SEE PAGE 51.

AC Wiring (For 115 Vac only)

NOTE TO WIRING DIAGRAM:

1. EACH ACTUATOR MUST BE POWERED THROUGH ITS OWN INDIVIDUAL SWITCH CONTACTS TO AVOID CROSS FEED.
2. MOTOR HAS A THERMAL PROTECTOR AS SHOWN BY (M) IN DIAGRAM.
3. IF 115 VAC MODELS ARE PLC DRIVEN, OUTPUT CONTACTS OF PLC SHOULD BE RATED AT A MINIMUM OF 1.5 TIMES REQUIRED INPUT VOLTAGE OF ACTUATOR.

