



# Electric Actuator

## Specifications

- Series 92:** Motor Type – Reversing, single phase  
 Model – S92 for sizes 1-1/2" – 3"  
 Torque – 400 in.- lbs.  
 Voltage – 120 Vac, 50/60 Hz  
 Max Ambient Temp. – 150° F  
 Switches – Two single pole, double throw (15 Amp rating)

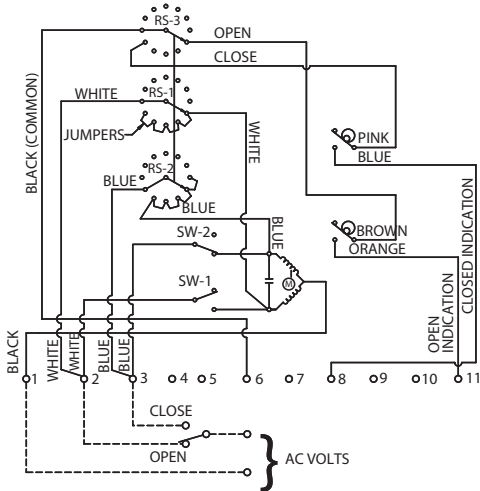
### Standard Features (Sizes 1-1/2" – 3")

- Brushless, capacitor-run motors (AC models)
- Integral thermal overload protection with auto-reset (AC models)
- Permanently lubricated gear train
- Combination NEMA 4X, 7 and 9 enclosure with thermally bonded powder coating/304 ss trim
- ISO bolt circle
- Two 1/2" NPT conduit ports prevent interference between control and power signals
- Declutchable manual override
- Highly visible position indicator

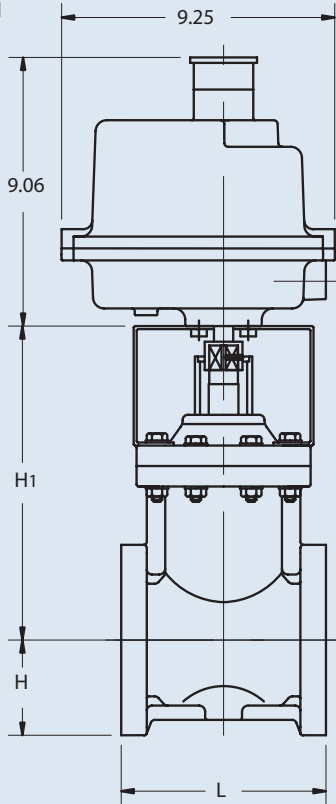
### Options

- Extra limit switches
- Feedback potentiometer
- Heater and thermostat (to -40° F)
- Milliamp positioner: 4-20mA or 0-10 Vdc input signal
- 4-20mA output position transmitter

### AC Wiring (For 115 Vac only)



SERIES 92 ON TYPE P GATE VALVE



### Engineering Data

ACTUATOR MODEL	VOLTAGE	DUTY CYCLE	AMP DRAW	WEIGHT
S92	120 VAC	25%	.50	10 lbs.

**NOTE TO WIRING DIAGRAM:**  
 1. IF 120 VAC MODEL IS PLC DRIVEN, OUTPUT CONTACTS OF PLC SHOULD BE RATED AT A MINIMUM OF 1.5 TIMES REQUIRED INPUT VOLTAGE OF ACTUATOR.  
 2. EACH ACTUATOR MUST BE POWERED THROUGH ITS OWN INDIVIDUAL SWITCH CONTACTS TO AVOID CROSS FEED.  
 3. MOTOR HAS A THERMAL PROTECTOR AS SHOWN BY (M) IN DIAGRAM.

### Dimensions

NOMINAL SIZE		H	H1	L
INCHES	mm			
1 1/2	40	2.50	9.00	6.50
2	50	3.00	10.46	7.01
3	80	3.75	14.06	7.99