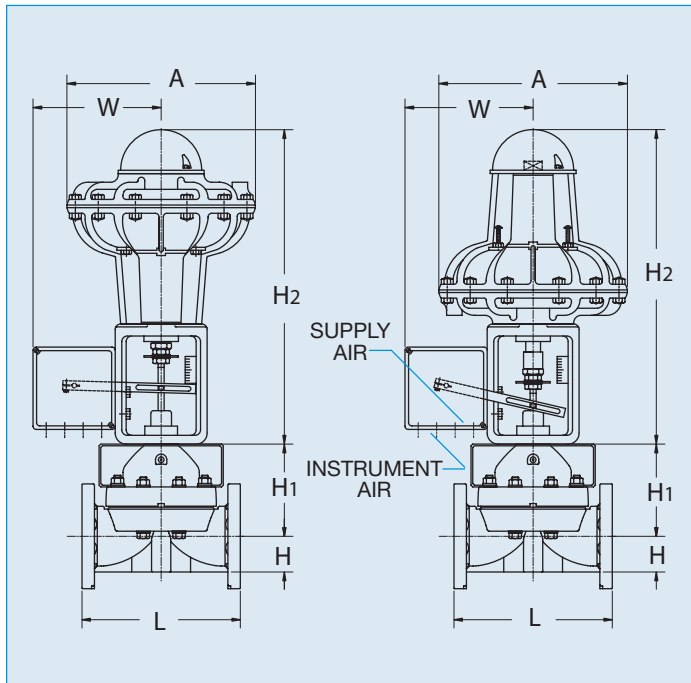


Actuator Options

Diaphragm Valves

Pneumatically Actuated Diaphragm



Standard Features (Sizes 1/2" - 4")

- Air-to-Spring diaphragm actuator
- Choice of failsafe action can be either Spring-to-Close or Spring-to-Open
- Corrosion resistant, coated, die-cast aluminum body
- Diaphragm of Nylon-reinforced Neoprene
- Actuator working pressure: 60 psi
- 1/4 NPT air connection
- Position indicator
- Travel stop

Options

- Solenoids in all NEMA ratings and voltages
- 4-20mA output for interface with computers and other equipment
- Travel stops for limiting valve lift
- Limit switches for interface with computers and other equipment
- Positioners: 3-15mA and 4-20mA inputs for throttling applications
- Manual override

Actuator Sizing

NOMINAL SIZE		ACTUATOR
INCHES	mm	
1/2	15	P25
3/4	20	P25
1	25	P25
1 1/2	40	P25
2	50	P50
2 1/2	65	P50
3	80	P110
4	100	P110

Weight

NOMINAL SIZE		WT. (LBS.)
INCHES	mm	
1/2	15	15.5
3/4	20	17.0
1	25	18.0
1 1/2	40	21.5
2	50	30.0
2 1/2	65	34.5
3	80	82.0
4	100	87.0

Dimensions (Sizes 1/2" - 4")

NOMINAL SIZE		W	A	L	H	H1	H2
INCHES	mm						
1/2	15	6.5	7.9	4.25	.49	2.35	13.4
3/4	20	6.5	7.9	5.88	.57	2.43	13.4
1	25	6.5	7.9	5.88	.73	2.69	13.4
1 1/2	40	6.5	7.9	6.94	1.08	4.27	13.4
2	50	6.6	10.5	7.94	1.42	4.84	16.6
2 1/2	65	6.6	10.5	9.84	2.40	5.81	16.6
3	80	7.6	15.2	10.38	2.48	6.28	26.5
4	100	7.6	15.2	12.94	3.07	7.86	26.5

Specifications

SPECIFICATION	UNIT	P25	P50	P110
Effective Diaphragm Area	(in ²)	25.00	50.00	110.0
Air Volume (at zero stroke)	(in ³)	6.71	21.35	42.7
Air Volume (at full stroke)	(in ³)	28.06	96.38	292.8
Typical Stroke Time (60 psi)	(sec.)	3	4	8