

# All-Plastic High Capacity Cartridge Filters

For Water or Chemical Filtration



## Housings Feature:

- All-plastic PPL or PVDF construction
- Viton® or EPDM seals
- Threaded or flanged connections
- Hand-removable cover
- High pressure ratings
- Inline or loop piping setup
- Simplex or duplex models

## Cartridges Feature:

- Nominal and absolute rated cartridges
- Large filtration area
- High dirt holding capacity

## *An Important Advance in Cartridge Filtration*

Now you can have all the benefits of cartridge filtration for industrial and commercial applications – while getting complete corrosion resistance. Hayward's one-piece, seamless, plastic-body cartridge filters will never rust or corrode, nor will they contaminate the process fluid.

## *Thousands of Applications*

Hayward's Series 4200 all-plastic cartridge filters have been designed to work in the most demanding of applications – whether for high purity water or aggressive chemical filtration. These heavy-wall-housing filters will withstand operating pressures of up to 150 psi with no problem. Series 4200 filters will work in corrosive atmospheres and harsh environments, places where a metal housing would have to be painted or epoxy-coated just to survive. All this, plus light weight and easy installation, make the Hayward Series 4200 cartridge filter right for your application.

## *The Right Configuration for Your Application*

Series 4200 cartridge filter housings are offered in three sizes – making it easier to choose the exact filter for your application requirements. And you can choose between two types of Hayward cartridges. Hayward HC cellulose cartridges are perfect for all types of water filtration up to 165°F. Their special design packs 47 sq ft of filter media into a 16" tall cartridge. Hayward PF polypropylene cartridges are silicone-free and feature graded density construction for superior particle retention.

## *Duplex Models*

Choose a Hayward Series 4200 duplex cartridge filter for those applications where the pipeline flow cannot be shut down to change out filter cartridges. Duplex filters allow the pipeline flow to be diverted to one of the two filter housings. This permits the off-line housing to be serviced without flow shutdown.

# Series 4200 Plastic Filter Housings for Cartridges



## Features

- All-plastic PPL or PVDF construction
- Viton® or EPDM seals
- Threaded or flanged connections
- Hand-removable cover
- High pressure ratings
- Inline or loop piping setup
- For water filtration applications, CFLT4201 accepts one 16" cartridge; CFLT4202 accepts two 16" cartridges, end to end
- For absolute filtration applications, five-element 20" and 30" cartridges are accepted by housings CFLT4203 and CFLT4202, respectively

## Will Not Rust or Corrode

A metal filter housing will ultimately rust or corrode and contaminate the process media. There is no danger of this happening with a Hayward Series 4200, all-plastic, seamless body, polypropylene cartridge filter housing. It will never compromise the quality of the filtration system by rusting or corroding. The Model CFLT4202 simplex housing is also available in PVDF for the filtration of extremely corrosive fluids such as bromine, chlorine, toluene and trichloroethylene.

## Application Versatility

With three filter housing sizes, the Series 4200 easily adapts to all Hayward filter cartridges. The Hayward HC cartridge, a nominally rated water filter cartridge, fits the Model CFLT4201 and CFLT4202 housings, while the absolute-rated PF cartridge fits the CFLT4203 and CFLT4202 housings for high purity and aggressive chemical applications. Adapter kits custom configure each housing to the specific filter cartridge.

## Easy to Service

The Series 4200 filter housings are designed for quick and easy filter cartridge changeout. A hand removable cover simplifies cartridge changing. No tools are needed and the filter is back in service in a matter of minutes. The external cover threads are not in contact with the process media – eliminating the need for cleaning each time the cartridge is changed – a real time saving feature. Extra strength buttress style cover threads are a standard feature on all filter housings.

## Easy Installation

Support stands are not needed for the Series 4200 housings. An integrally molded support flange insures fast, rock solid installation. The 2" inlet and outlet connections are parallel and easy to pipe into. Two outlet connections are available for either in-line or loop piping arrangements.

## Extra Features, No Extra Cost

An all-plastic vent/bleed valve on the cover is standard on every all-plastic Series 4200 cartridge filter housing. Duplex models come ready mounted on a fiberglass mounting skid.

## Duplex Model for Continuous Flow

In many applications it is not possible to shut the process line down for cartridge changeout. For these applications a duplex cartridge filter skid assembly is available. Here, two filter housings are linked with a special all-plastic CPVC valve assembly that diverts the flow from one housing to the other without having to shut down the system. Just a quarter turn of a handle diverts the flow from one housing to the other – making it possible to change the cartridge in the out of service housing while the flow continues through the other housing.

## Housing/Cartridge Specifier

Housing	Hayward HC Cartridge	Max. Flow Rate	Hayward PF Cartridge	Max. Flow Rate
CFLT4201	One 16"	50 gpm	—	—
CFLT4202	Two 16"	100 gpm	Five 30"	100 gpm
CFLT4203	—	—	Five 20"	50gpm

# Hayward HC Cartridges for Water Filtration



## Features

- FDA-approved materials
- High particle retention
- Long life
- High holding capacity
- 5-micron size

## More Filtration Area

The Hayward HC cartridge is a high capacity cartridge that has over 47 sq ft of filter area. That's more than 10 times the filtration area of a typical standard 10" cartridge – resulting in a higher dirt loading capacity and less downtime for cartridge changeout. These cartridges measure almost 16" tall. For flow rates of up to 50 gpm, use one cartridge installed in a CFLT4201 filter housing. Two cartridges can be installed end-to-end in a CFLT4202 housing – creating a total of 94 sq ft of filtration area for applications requiring flow rates up to 100 gpm.

## Heavy Duty Construction

HC cartridges are constructed with a polypropylene core, cellulose element and sealed with plastisol end caps. All materials are FDA approved. HC cartridge is offered in 5 nominally rated micron size.

## Best Cartridge for Water Filtration Applications

HC cartridges are ideal for all types of water filtration up to 165 F. Whether your application requires the filtering of salt water, cooling water, well water, waste water or drinking water, the Hayward HC cartridge is the right choice for your filtration requirements.

# Hayward PF Cartridges for Absolute Filtration



## Features

- Large pleat design – more filter for the money
- Silicone free – for high purity applications
- Graded density – for superior particle retention
- Ratings of 1, 5 and 10 microns
- FDA-approved materials

## Absolute Filtration to 99.98%

Hayward PF cartridges are the perfect choice when the quality of the process liquid cannot be compromised. They are designed for applications that require absolute filtration to 99.98% and are rated at 1, 5 and 10 microns.

## Superior Design for Long Life

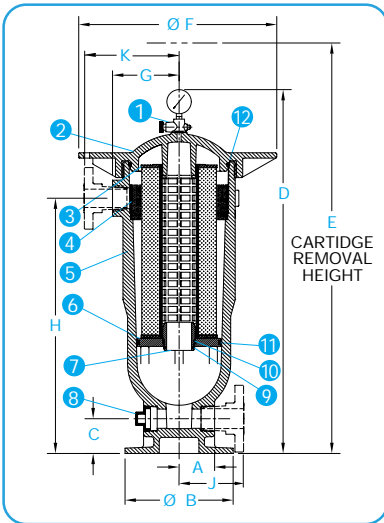
PF cartridges are silicone free and constructed from a continuous, graded, polypropylene fiber. A high efficiency pleat configuration results in high flow rates and dirt loading capacity with minimal pressure drop. The media is housed within a polypropylene cage for support under high flow conditions and permits a more even distribution of the process liquid through the filter media for longer cartridge life. Easy, positive installation of the cartridge into the housing is assured by the Type 222 double o-ring seal design. You never have to guess if the cartridge is properly installed. The PF cartridges consist of five filtration elements and are available in two lengths. The 20" cartridge fits the CFLT4203 filter housing for flow rates up to 50 gpm and a 30" cartridge in the CFLT4202 filter housing for applications requiring flow rates up to 100 gpm.

## Unlimited Applications

The Hayward PF cartridge, combined with the Hayward Series 4200 housing, is the best chemically resistant filtration system available. It is ideal for applications requiring quality filtration of bulk chemicals, oils, photographic chemicals, cosmetics, pharmaceuticals, inks, dyes, paints and water. Hayward PF cartridges also meet FDA requirements for food and beverage contact.

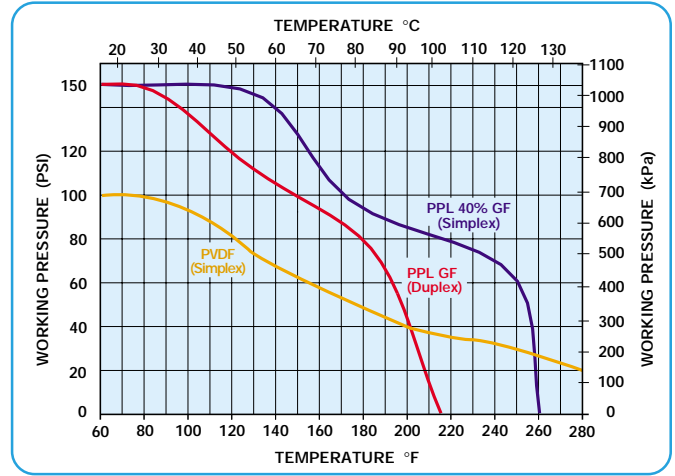
# Technical Information

## Operating Temperatures/Pressures



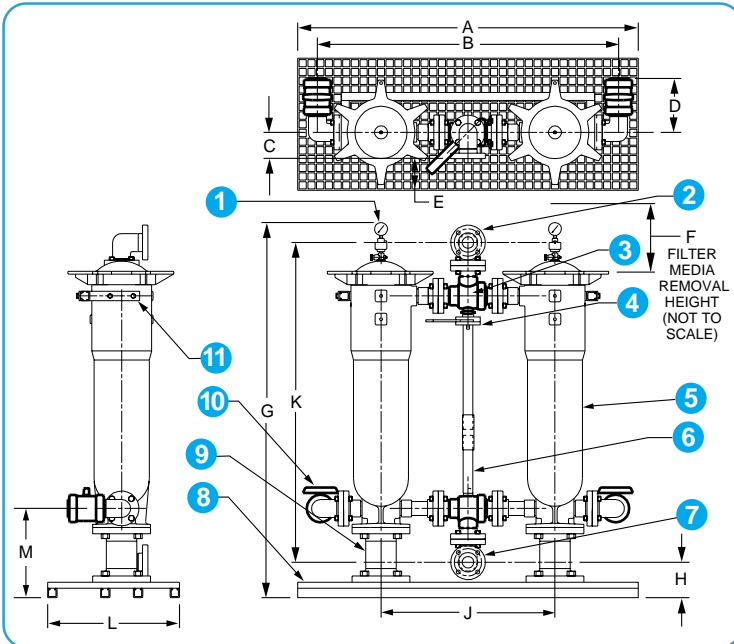
### Series CFLT4200 Simplex Parts List

1. PPL vent valve (with optional gauge)
2. Cover
3. HC cartridge
4. Flow diffuser (HC only)
5. Body
6. Support
7. Connector
8. Drain plug
- 9-12. O-ring



### Model 4200 Simplex Dimensions - inches (mm)

Model	A	B	C	D	E (HC Cart.)	E (PF Cart.)	F	G	H	J	K	Weight (lb/kg)
CFLT4201				34.1 (866)	45 (1143)	—			20.75 (527)			50 (22.7)
CFLT4202	6.5 (165)	10 (254)	3.25 (83)	50.2 (1275)	61 (1549)	75 (1905)	18.38 (467)	6.21 (156)	36.75 (933)	5.75 (146)	8.75 (222)	65 (29.5)
CFLT4203				38.1 (967)	—	49 (1245)			24.75 (628)			58 (26.4)



### Series CFLT4200 Duplex Parts List

1. PPL vent valve with optional gauge
2. Inlet connection
3. Valve assembly, Corzan® CPVC
4. Lever handle
5. Filter housing, polypropylene
6. Linkage assembly
7. Outlet connection
8. Base assembly
9. Support stand
10. Drain valve, optional
11. Differential gauge mounting bracket, optional

### Technical Specifications

<b>Material of Construction:</b>	Glass reinforced polypropylene or PVDF (Model CFLT4202 only)
<b>Piping Connections:</b>	PPL – 2" NPT threaded or optional 150# ANSI flanged. PVDF – 2" socket fusion or optional flanged
<b>Pressure Rating:</b>	PPL – 150 psi. PVDF – 100 psi non-shock at 70 F
<b>Seals:</b>	Viton® or optional EPDM

Corzan® is a trademark of BF Goodrich Co.  
Viton® is a trademark of DuPont Dow Elastomers

### Model 4200 Duplex Dimensions - inches (cm)

Model	A	B	C	D	E	F (HC Cart.)	F (PF Cart.)	G	H	J	K	L	M	Weight (lb/kg)
CFLT4201						55 (1397)	—	49 (123)			39 (99)			162 (74)
CFLT4202	59 (150)	52 (132)	4.5 (11)	9.3 (24)	5.5 (14)	71 (1803)	85 (2159)	65 (164)	6.1 (16)	30 (76)	55 (140)	23 (58)	15.3 (39)	190 (86)
CFLT4203						—	59 (1499)	53 (135)			43 (109)			170 (77)



#### Hayward Industrial Products, Inc.

One Hayward Industrial Drive, Clemmons, NC 27012  
Tel: 1-888-429-4635 (1-888-HAYINDL) • Fax: 1-888-778-8410  
e-mail: industrial@haywardnet.com  
Web Site: <http://www.haywardindustrial.com>

#### Hayward Industrial Products Canada Inc.

2880 Plymouth Drive, Oakville, Ontario L6H 5R4  
Tel: 905-829-2880 • Fax: 905-829-3636

#### Hayward Industrial Products (UK) Ltd.

Unit 2, Crowngate, Wyncolls Road  
Colchester, Essex CO4 4HT  
Tel: 441-206-854454 • Fax: 441-206-851240